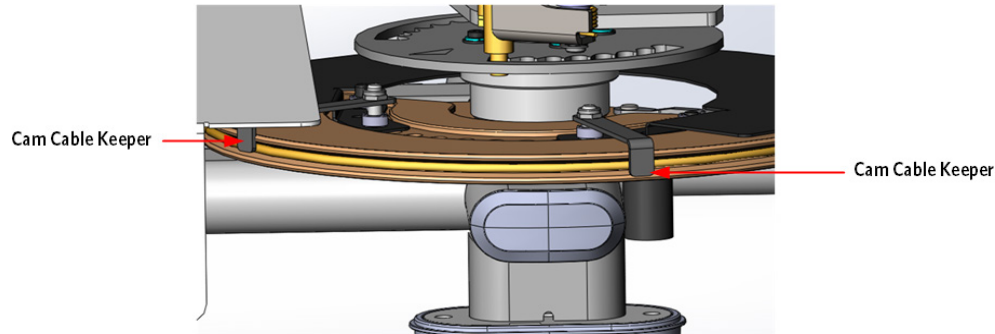


On February 8th 2013, the Discovery Selectorized and Experience C-Line, Inner and Outer thigh machines incorporated a design modification. Units built prior to February 8th 2013 used a single cam cable keeper on the cam. Units built after February 8th 2013, will utilize two cam cable keepers. **See Diagram 1.**

Diagram 1**Affected Units:**

DSL620 Inner Thigh Machine (serial code BA77)

C-Line 620 Inner Thigh Machine (serial codes BDDM, BPDF, B947, BKTM, BWKL)

DSL621 Outer Thigh Machine (serial code BA78)

C-Line 621 Outer Thigh Machine (serial codes BGKN, BPDN, BDDN, BWKM, BC58)

C620EC Inner Thigh**DSL620 Inner Thigh****DSL621 Outer Thigh****C621 EC Outer Thigh**

An upgrade kit has been created for units that only use the single cam cable keeper. Order part number CW50289-102. The kit includes hardware to mount the cam cable keepers to the Inner or Outer thigh machines, two cam cable keepers, and installation instructions. The kit can be ordered through your normal warranty process.

If you have any questions in regards to this service bulletin please contact **Precor Customer Support @ 1-800-786-8404.**