

Queenax MWB 45 bracket mounting change

Issue

Mini Wall Bar 45's (MWB 45's) previously shipped with a 3-hole angle bracket, which provided extra support within the column. In certain configurations, one bracket is not sufficient to properly mount all of the MWB 45's.

Resolution

MWB 45's now ship with a two-hole bracket in addition to the three-hole bracket. This configuration will fit between the ribs inside the columns from top to bottom.

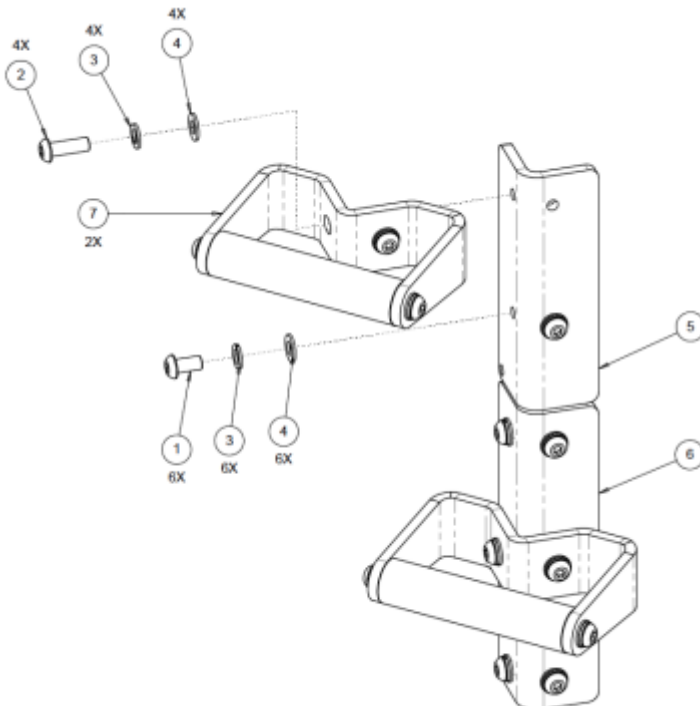
All MWB 45's must be secured to a bracket and all open bracket holes secured with a screw, split washer, and flat washer.



Note: There are two screw lengths. The longer (30mm) is used to secure the MWB 45. The shorter (20mm) is used on the unused bracket holes.



Caution: All screws are mounted with a split washer and flat washer. This is necessary to prevent the screw from backing out.



Item	QTY	Description
1	6	Screw, M10 x 1.5 X 20
2	4	Screw, M10 x 1.5 X 30
3	10	Washer, Split, M10X 2.0mm
4	10	Washer, Flat, Steel, M10X 1.9mm
5	1	Angle, Beam, 2-Hole
6	1	Angle, Beam, 3-Hole
7	2	Bracket Assy, Mini Wall Bar 45