

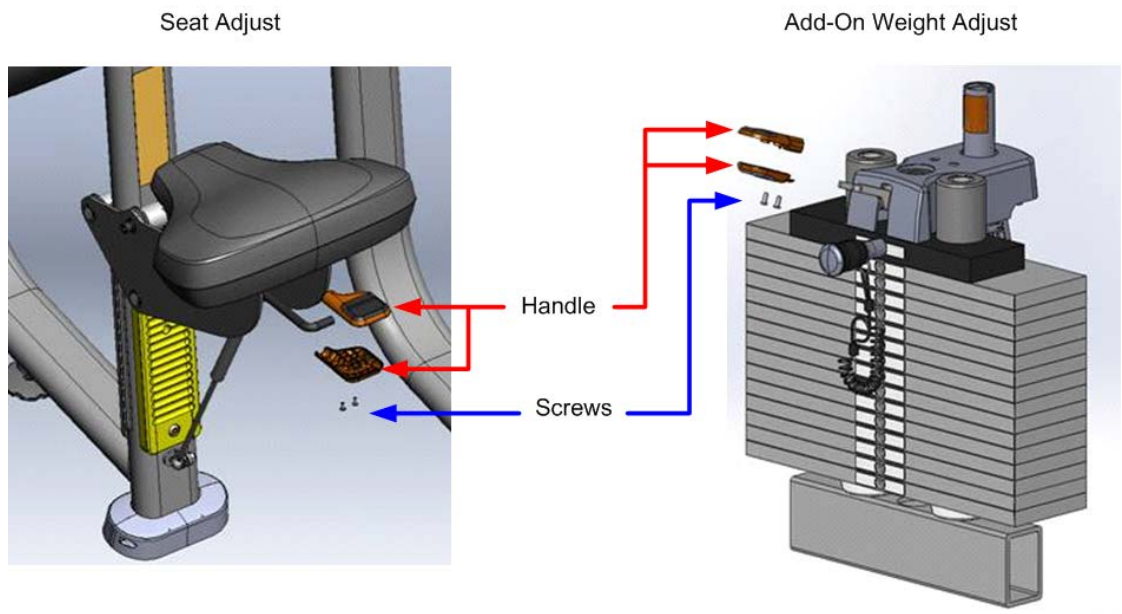
Product(s) Affected:

Discovery Plate (DPL) Loaded Strength Line and Discovery Selectorized (DSL) Strength Line.

Issue/Symptoms:

The screws that secure the handles to the add-on weight lever and seat adjust lever may back out causing the handles to become loose or fall off the lever. **See Diagram 1.**

Diagram 1



Resolution/Corrective Action:

If the described symptoms occur, apply blue Loctite 243™ to the threads of the screws (PPP0000TECN004010) that secure the handles to the lever. Install the screws and fully tighten.

If you have any questions regarding this service bulletin, please contact Precor Customer Support @ 1-800-786-8404 or support@precor.com.