

## Service Bulletin

**Product(s) Affected:**

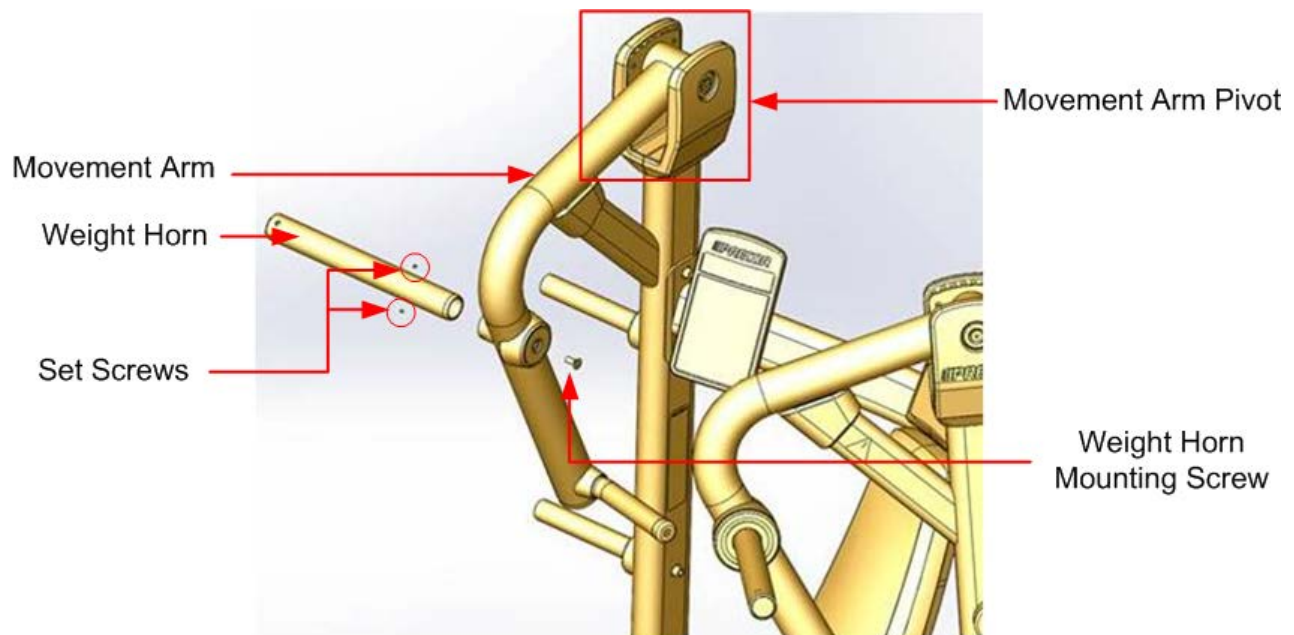
Discovery Plate Loaded Strength Machines

**Issue/Symptoms:**

There is the potential for a squeaking noise to develop from the Movement Arm. **See Diagram 1.** The noise is commonly misdiagnosed as radiating from the Movement Arm Pivot. **See Diagram 1.**

**Cause:**

In most cases the squeaking noise is actually radiating from a loose Movement Arm Weight Horn. When weight is applied to a loose Weight Horn and the Arm is in motion the Weight Horn will rotate in its mounting location, causing the squeaking noise. **See Diagram 1.**

**Diagram 1****Resolution/Corrective Action:**

If the described symptoms occur, remove the two Weight Horn set screws and the Weight Horn Mounting screw, apply blue Loctite 243™ to all screws. Fully tighten the mounting screw first, then the set screws. Repeat the process for the remaining Movement Arm Weight Horn.

If you have any questions regarding this service bulletin, please contact Precor Customer Support @ 1-800-786-8404 or support@precor.com.